

dream

by Hampton

For Model# 7364, 7365 & 7366

Indoor Ceiling Mounted Track Light Installation Instructions

IMPORTANT SAFETY INFORMATION

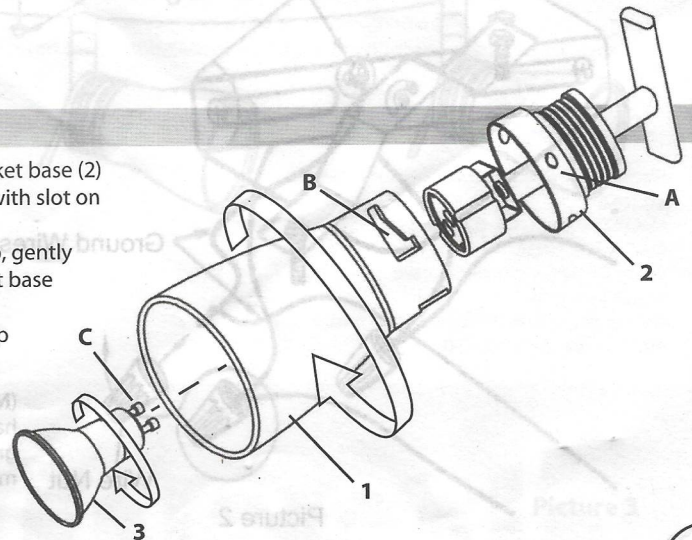
- TURN POWER OFF AT THE MAIN POWER PANEL OR FUSE BOX BEFORE INSTALLING OR REPLACING THE FIXTURE AND/OR WHEN REPLACING THE BULBS.
- THIS PRODUCT MUST BE INSTALLED IN ACCORDANCE WITH ALL APPLICABLE INSTALLATION CODES BY A PERSON FAMILIAR WITH THE CONSTRUCTION AND OPERATION OF THE PRODUCT AND THE HAZARDS INVOLVED.
- If you are not familiar with electrical wiring, it is recommended that you secure the services of a qualified electrician who can assure that this installation meets local, state, and national codes.
- Before installing this fixture, be sure to check with local ordinances regarding approved outdoor lighting.
- The electrical system and the method of connecting this fixture to the system must be in accordance with local, state, and national electrical codes.
- This fixture is to be connected to a 120-Volt, 60 Hz power source.
- Connecting to a different power source may create a hazard and will void the warranty.
- Do not use near or around flammable/combustible materials or liquids.
- The bulb and unit can get hot during use. Turn off the power and allow the unit to cool down for at least 20 minutes before working on the unit.
- Never use a bulb with a higher wattage than the stated maximum wattage allowed for the fixture.
- Using a higher wattage bulb may cause a fire hazard and/or cause damage to the unit.
- If it becomes necessary to replace the glass, only use a tempered safety glass of equal thickness.
- Do not attempt to open the fixture housing. There are no serviceable parts inside.

Mounting Accessories Included:

- Mounting Bar
- Mounting Screws
- Fixture Screws (Longer)
- Wire Nuts

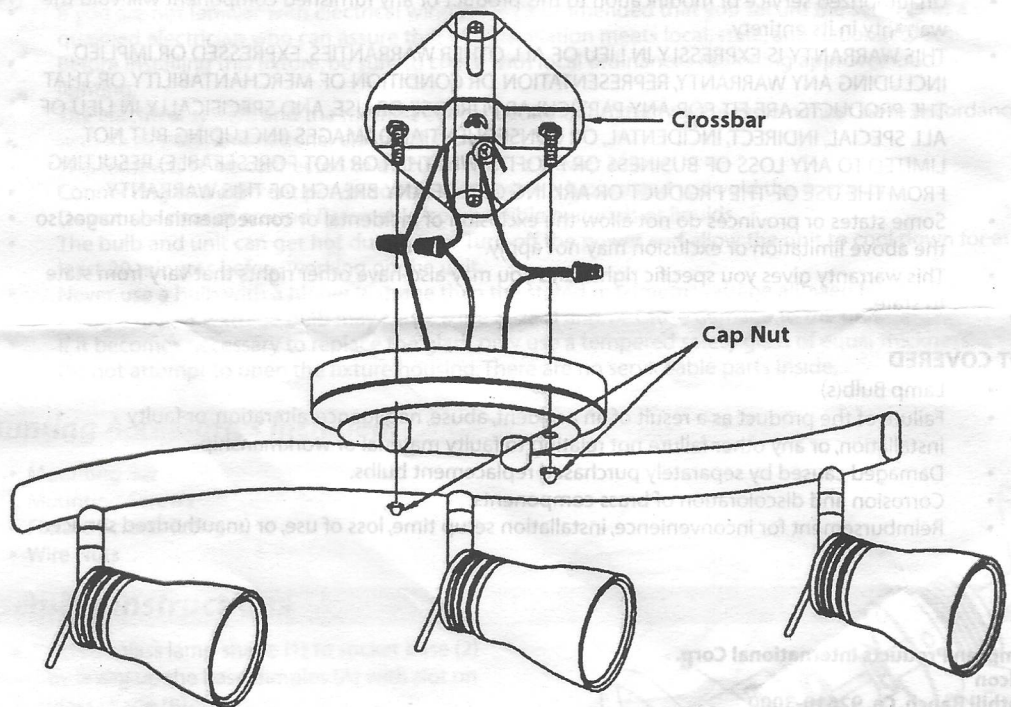
Assembly Instructions

- Attach glass lamp shade (1) to socket base (2) by lining up the base dimples (A) with slot on glass shade (B).
- Once dimples and slot are lined up, gently push glass lamp shade onto socket base and twist clockwise.
- Install 40W GU10 bulb (3) into lamp socket by gently pushing lamp shade up with one hand while lining up lamp pins (C) with slots on socket. Push pins into socket and twist clockwise to lock in place.
- Repeat with other lamp sockets.



3. Ceiling Mount Installation

- a. Tuck wires into junction box.
- b. Attach fixture to junction box.
- c. Use a clear silicone caulk around the outside of fixture's base to seal the junction box.
- d. Tighten cap nuts to secure the fixture.



Model 7365 - 3 lamp (shown)
Model 7364 - 4 lamp

Picture 3