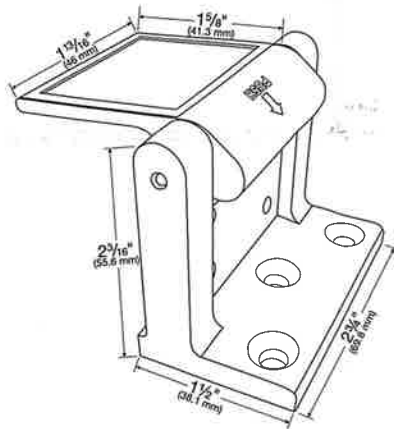


999-00057

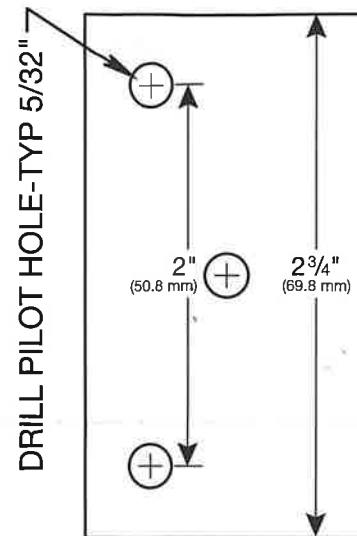
- ADA COMPLIANT
- IN-ROOM PRIVACY
- DOES NOT KEEP DOOR OPEN
- EASY TO INSTALL



**TOOLS REQUIRED**



**MOUNTING TEMPLATE**

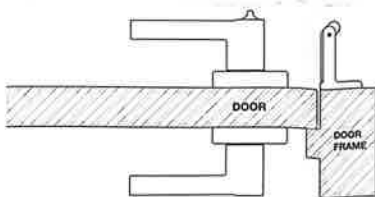


**THIS EDGE AGAINST EDGE OF FRAME TOWARDS DOOR**

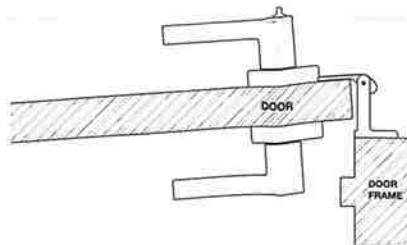
**INSTALLATION INSTRUCTIONS**

1. Hold Privacy Door Latch up to the door frame to determine the mounting height desired, mark height with pencil.
2. Hold the mounting template to the edge of the door frame and mark the hole locations.
3. Drill 5/32" pilot holes where marked.
4. Mount the Privacy Door Latch to door frame with the fasteners provided.
5. Check operation by closing door and pushing on front edge of latch where indicated. Open door to check engagement.
6. Close the door and close that latch. Door should open freely.

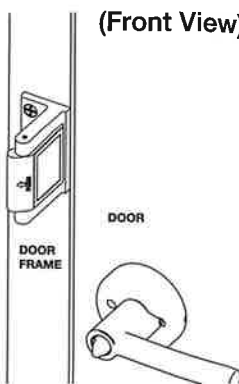
**Privacy Door Latch  
Disengaged  
(Top View)**



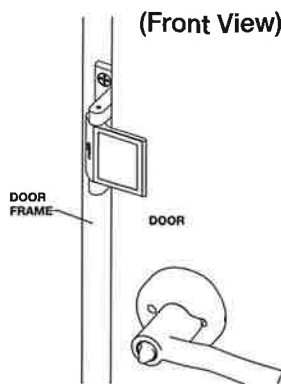
**Privacy Door Latch  
Engaged  
(Top View)**



**(Front View)**



**(Front View)**



FOR CUSTOMER CARE CALL TOLL FREE  
800-562-5625 OR [info@hamptonproducts.com](mailto:info@hamptonproducts.com)



50 Icon, Foothill Ranch, CA 92610-3000 USA