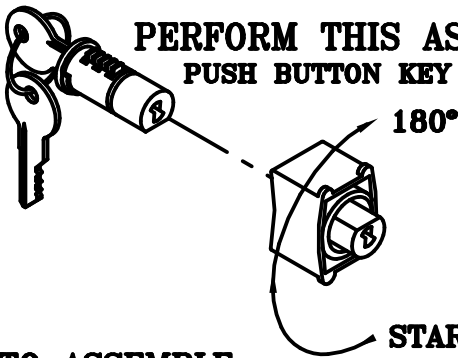


IMPORTANT:

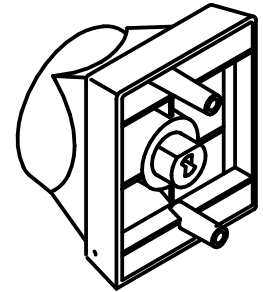
PERFORM THIS ASSEMBLY PRIOR TO DOOR HARDWARE INSTALLATION

PUSH BUTTON KEY LOCK

DEADBOLT PLATE OUTSIDE



AND



95266-000

TO ASSEMBLE:

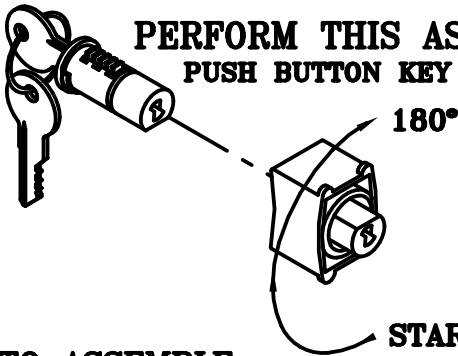
PLACE KEY CYLINDER WITH KEYS IN BUTTON OR PLATE, TURN 180° AND REMOVE KEYS. REFER TO THE ENCLOSED INSTRUCTION SHEET FOR FURTHER INSTALLATION.

IMPORTANT:

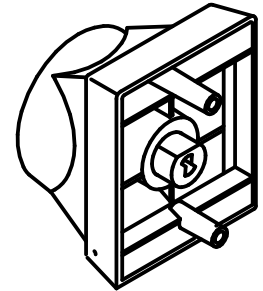
PERFORM THIS ASSEMBLY PRIOR TO DOOR HARDWARE INSTALLATION

PUSH BUTTON KEY LOCK

DEADBOLT PLATE OUTSIDE



AND



95266-000

TO ASSEMBLE:

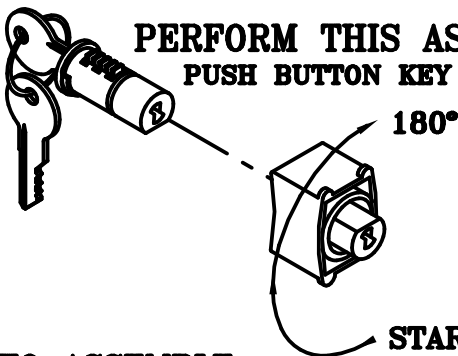
PLACE KEY CYLINDER WITH KEYS IN BUTTON OR PLATE, TURN 180° AND REMOVE KEYS. REFER TO THE ENCLOSED INSTRUCTION SHEET FOR FURTHER INSTALLATION.

IMPORTANT:

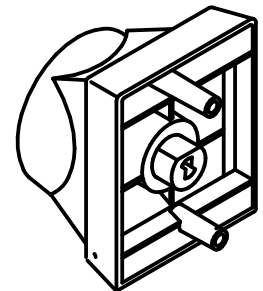
PERFORM THIS ASSEMBLY PRIOR TO DOOR HARDWARE INSTALLATION

PUSH BUTTON KEY LOCK

DEADBOLT PLATE OUTSIDE



AND



95266-000

TO ASSEMBLE:

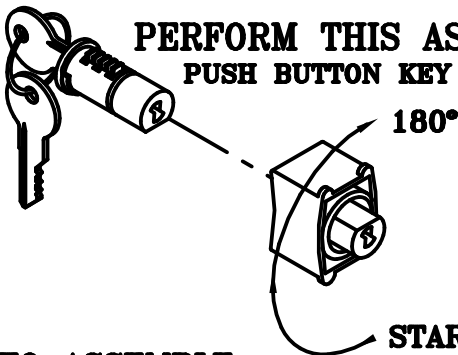
PLACE KEY CYLINDER WITH KEYS IN BUTTON OR PLATE, TURN 180° AND REMOVE KEYS. REFER TO THE ENCLOSED INSTRUCTION SHEET FOR FURTHER INSTALLATION.

IMPORTANT:

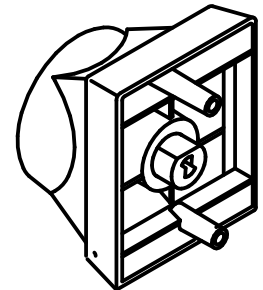
PERFORM THIS ASSEMBLY PRIOR TO DOOR HARDWARE INSTALLATION

PUSH BUTTON KEY LOCK

DEADBOLT PLATE OUTSIDE



AND



95266-000

TO ASSEMBLE:

PLACE KEY CYLINDER WITH KEYS IN BUTTON OR PLATE, TURN 180° AND REMOVE KEYS. REFER TO THE ENCLOSED INSTRUCTION SHEET FOR FURTHER INSTALLATION.