



INSTRUCTION MANUAL

Post Mount 180° Motion Security Light W/ Decorative Flame Effect

Home Depot SKU 413-855 (UPC 039208993685)

Congratulations on your purchase of a Hampton Bay Post Mount 180° Motion Security Light Fixture with Decorative 'Luminara' gas flame effect. You have purchased a safe, dependable, easy-to-install security lighting system. You can use this fixture at home for outdoor lighting applications.

IMPORTANT SAFETY INFORMATION - This Product Must Be Installed In Accordance With All Applicable Installation Codes.

- IF YOU ARE NOT FAMILIAR WITH ELECTRICAL WIRING, IT IS RECOMMENDED THAT YOU SECURE THE SERVICES OF A WELL QUALIFIED ELECTRICIAN WHO CAN ASSURE THAT THIS INSTALLATION MEETS LOCAL, STATE, AND NATIONAL CODES.
- BE SURE POWER IS TURNED OFF AT THE MAIN POWER PANEL OR FUSE BOX PRIOR TO INSTALLATION OR REPLACING FIXTURE.
- Before installing this fixture, be sure to check with local ordinances regarding approved outdoor lighting. This fixture style may not be allowed in some areas.
- This fixture is for outdoor use and post mount applications only.
- The electrical system and the method of connecting the fixture to the system must be in accordance with local, state, and national electric codes.
- This fixture is to be connected to a 120 volt, 60 Hz power source. Connecting to a different power source may create a hazard and will void the warranty.
- All outdoor fixtures should be mounted to a grounded power supply.
- Do not use near or around flammable/combustible material or liquids.
- The JCD lamp (bulb) will get hot during use. Turn off the power and allow the fixture and lamp to cool for at least 20 minutes prior to working on the unit.
- Do not look directly into the JCD lamp (bulb).
- Never use a lamp with a higher wattage than the stated maximum (40 Watt) allowed on the fixture. Using a higher wattage lamp may cause a fire hazard and/or damage to the unit.
- When replacing the lamp (bulb), use only a G8 JCD type, halogen 40-Watt lamp (bulb) of the same size.
- ALWAYS handle JCD halogen lamps (bulbs) with gloves or a soft cloth. NEVER touch the lamp (bulb) with your bare hands as the oil from your hand may cause the lamp (bulb) to fracture when illuminated.
- Do not attempt to open the motion sensor, or flame element.. There are no serviceable parts inside.
- Fixture must not be installed facing reflective surfaces closer than five (5) feet.
- This fixture should be installed not less than 4 feet (1.2M) about the ground to ensure proper motion sensor performance.
- NOTE: This fixture is equipped with a photo cell which automatically turns off the light during the daylight.

PRIOR TO INSTALLATION

Carefully read through the entire instructions before using this security lighting fixture. If any part is missing or damaged, do not attempt to use this product. Please contact customer service for replacement parts.

WARNING: BE SURE POWER IS OFF AT MAIN POWER PANEL/FUSE BOX BEFORE INSTALLING OR REPLACING FIXTURE. THIS PRODUCT MUST BE INSTALLED IN ACCORDANCE WITH THE APPLICABLE INSTALLATION CODES BY A PERSON FAMILIAR WITH THE CONSTRUCTION AND OPERATION OF THE PRODUCT AND THE HAZARDS INVOLVED.

INCLUDED

- | | |
|------------------------------------|------------------------------|
| A – 180° Motion Wall Mount Fixture | B – Gas Flame Effect Fixture |
| C – Set Screws (3) | D – Wire Connectors (3) |
| E – 40 Watt JCD halogen lamp(bulb) | F – EZ-N-Stall Connector |

WIRING

1. Using wire connectors (D), connect the black wire from the EZ-N-Stall Connector (F) to the black wire from the power supply,
2. Connect the white wire from the EZ-N-Stall Connector (F) to the white wire from the power supply.
3. Connect the green wire from the EZ-N-Stall Connector (F) to ground or copper wire from the power supply. See FIGURE 1.

POST MOUNT INSTALLATION

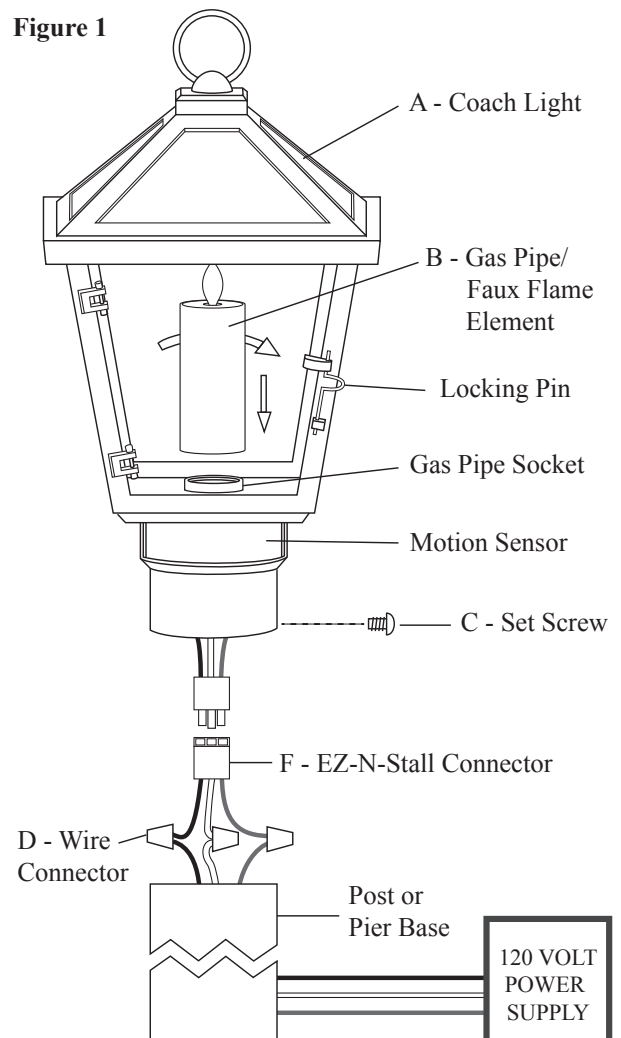
1. Plug the EZ-N-Stall Connector (J) into mating connector from fixture.
2. Place light fixture (A) on top of post or pier base, carefully inserting connected wires into the post – making sure no wires are left exposed.
3. Secure fixture to post by tightening three set screws (C) with screwdriver. Do not over tighten. When installing, please aim motion sensor where you want traffic detected.

NOTE: If set screws (C) are not pre-installed, please assemble as shown in FIGURE 1.

INSTALLATION OF GAS FLAME EFFECT FIXTURE

1. While coach light door is still open, line up pins on the bottom of the 'gas pipe' apparatus with the corresponding slots on the fixture base and push in until seated.
2. With concave (indented) portion of "flame" facing forward, gently turn 'gas pipe' clockwise (to the right) until it locks into place. (To remove Flame Effect Fixture (B), simply turn piece counter-clockwise until it releases and pull up from socket.

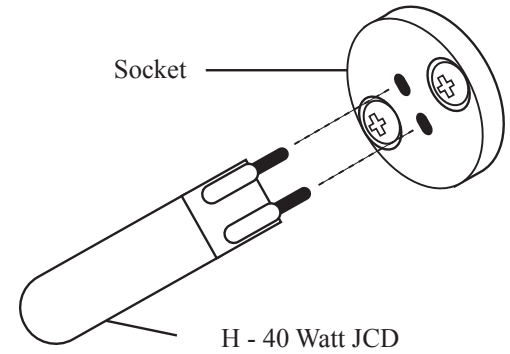
Figure 1



INSTALLATION OF LAMP (BULB)

1. **WARNING:** Turn off power and allow fixture to cool down 20 minutes prior to replacing JCD lamp (bulb). Never use a lamp with a higher wattage than the stated maximum (40 Watt) allowed on the fixture. Using a higher wattage lamp may cause a fire hazard and/or damage to the unit.
2. When replacing the lamp (bulb), use only a G8 JCD type, halogen 40-Watt lamp (bulb) of the same size.
3. **ALWAYS** handle JCD halogen lamps (bulbs) with gloves or a soft cloth. See FIGURE 2. **NEVER** touch the lamp (bulb) with your bare hands as the oil from your hand may cause the lamp (bulb) to fracture when illuminated.
4. Open the coach light door by pulling locking pin up, then gently swing door open to expose inside of fixture.
5. Insert 40-Watt JCD by aligning the lamp (bulb) prongs with the socket and gently push the lamp (bulb) straight in until properly seated.

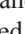
Figure 2

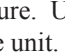


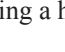
MOTION SENSOR

Observe the two controls on the bottom of the motion sensor – FIGURE 3.

The time setting for the motion light is on the left as indicated by the  symbol.

The 'Flame' light setting is on the right as indicated by the  symbol.

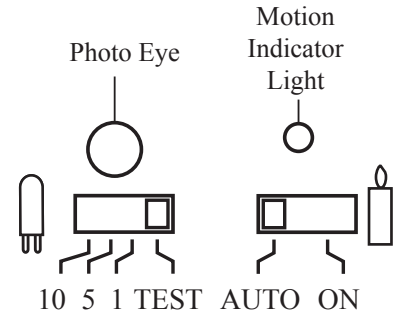
 – ON: 'Flame' light will remain ON at all times.
 AUTO: 'Flame' light will be controlled by the photocell, turning ON at dusk and OFF at dawn.

 – 10, 5, 1: Sets how long the light will stay on after motion is detected (1, 5, or 10 minutes). Slide the switch to the desired time duration.

TEST: Allows the motion sensor to activate during daylight for 5 seconds, then off for 5 seconds to standby for another testing.

The Motion Indicator Light will glow red when motion has been detected. **NOTE:** If the Motion Indicator Light is on but the JCD bulb is not on, check the bulb for replacement.

Figure 3



TROUBLESHOOTING	
SYMPTOM	REMEDY
Does not function at all.	<ol style="list-style-type: none"> 1. Make sure the switch (if applicable) is ON. 2. Check that the circuit breaker, fuse and main power switch is on. 3. Be sure sensor is pointed to target area. 4. Check lamp (bulb) for damage.
Light cycles ON and OFF.	Confirm motion sensor is directed away from heat sources such as street, active sidewalk, barbeque grill, etc.

If fixture continues to fail to operate properly, check to make sure the line voltages at the fixture is correct, the fixture is wired correctly, and that the fixture is grounded as noted above.

QUESTIONS: For further assistance or more information, please call 1-800-562-5625, 8 am – 5 pm (Pacific Time), Monday – Friday.

LIMITED LIFETIME WARRANTY – This product is warranted to be free from defects in material and workmanship for life of product. If a defect occurs, call 1-800-562-5625 for instructions on how to have defective product repaired or replaced free of charge. **LIMITATIONS** - This warranty only covers the assembled lighting products and accessories and is not extended to other components, Lamp Bulb(s), or equipment used on the product. Warranty extends to original purchaser of product. Receipt or other approved proof of purchase required for warranty service. **NOT LIABLE FOR INCIDENTAL, INDIRECT, OR CONSEQUENTIAL DAMAGES.** Some states do not allow the exclusion or limitation of incidental or consequential damages, so the above limitation or exclusion may not apply to you. This warranty gives you specific legal rights, and you may also have other rights which vary from state to state. **NOT COVERED** - Product failure not relating to faulty material or workmanship, corrosion of brass components, reimbursement for installation or unauthorized service.